

CENTRIC PRO SERIES™ Flicker-Free Dimmable Power Supply with Integrated Junction Box

PN: 3902.24.096

The CENTRIC PRO SERIES™ dimmable LED power supply units allow LED strip lights to be operated and dimmed from a traditional wall-dimmer with smooth and flicker-free light output. With compatibility across a wide range of legacy and modern phase-dimming products such as those made by Lutron and Leviton, these power supplies are an excellent choice for powering and controlling LED strip lights in residential and commercial lighting projects.

These power supply units perform a dual function of converting AC line voltage (120 volts) to low voltage DC (24 volts), as well as interpreting the wall-dimmer signal and adjusting the power provided to the LED strip to the corresponding brightness level. Our innovative gamma-curve formulation and ultra-high 20 kHz PWM dimming frequency ensures the light output remains smooth and flicker-free across the dimming curve.

The CENTRIC PRO SERIES™ includes an integrated junction box enclosure, allowing for quick and easy code-compliant installation without the need for any additional electrical components.



PRODUCT AND FEATURES

- 100 - 277 V AC input, compatible with phase-cut wall dimmers, including incandescent (forward phase / TRIAC), electronic low voltage (ELV / reverse phase), and magnetic low voltage dimmers
- 24V DC constant voltage output, with reduced brightness level corresponding to input dimming signal from wall-dimmer
- Compatible with Waveform Lighting's single-color LED strip lights (DC 24 volts) and third-party LED strip light products
- Up to 96 W power output, Class 2 rating
- Dimmable to 0% for most dimmer models (see dimmer list for complete listing)

ELECTRICAL SPECIFICATIONS

Input voltage:	110 - 277V AC, 47 - 63 Hz
Output voltage:	24.0V DC ± 0.5V
Output current (max):	4 A
Power (max):	96 W
Minimum load:	5 W
Overcurrent shutoff:	4.8 A, enters hiccup mode
Power factor:	0.98-0.99
Total Harmonic Distortion:	< 15%
Efficiency:	> 85%
Inrush Current:	25 A, 50%, 1.6 ms

PART NUMBERS AND ORDERING

24V, 96W	3902.24.096
-----------------	-------------

MECHANICAL SPECIFICATIONS

Length:	7.40 in (188 mm)
Width:	4.74 in (121 mm)
Height:	1.65 in (42 mm)
Weight:	1.98 lbs (0.96 kg)

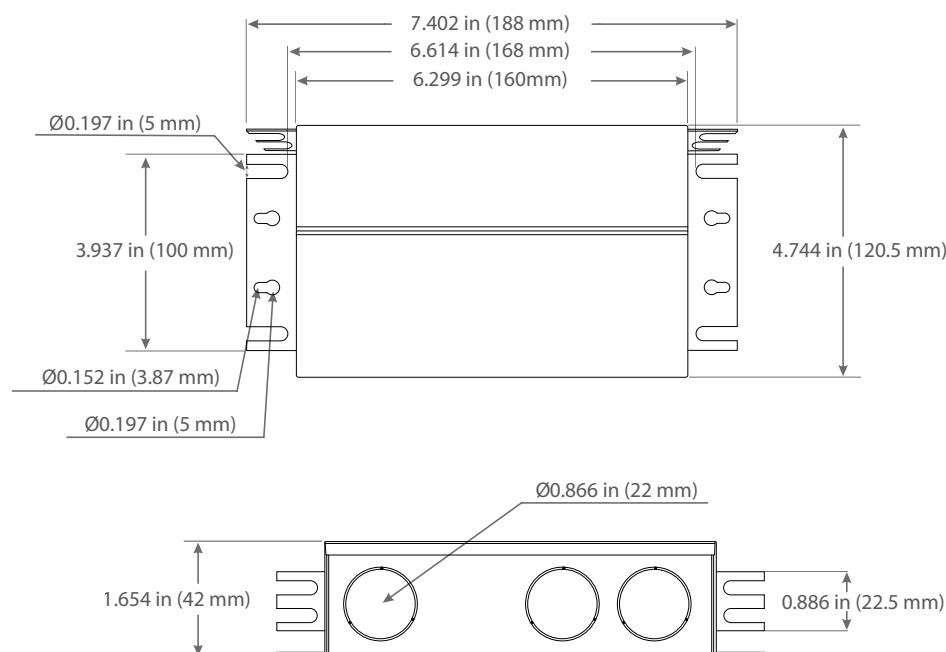
ENVIRONMENTAL SPECIFICATIONS

Max Ambient Temperature:	140°F (60°C)
Min Ambient Temperature:	-40°F (-40°C)
Max Relative Humidity:	95%, non-condensing
Storage Temperature:	-40°F - 175°F (-40°C - 80°C)
Max Vibration:	5G, 10-500 Hz

CERTIFICATIONS



MECHANICAL DIMENSIONS



Rev 10/07-31-2023 © 2023 Waveform Lighting, LLC. All rights reserved. Specifications subject to change without notice.